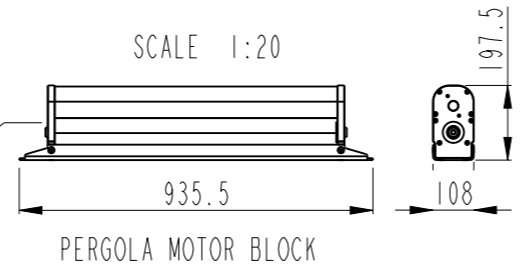


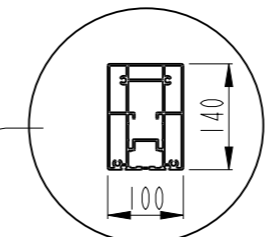
Revision
A3

GENEL TOLERANS/
GENERAL TOLERANCE
0 - 5 mm ±0.05
5 - 50 mm ±0.10
50 - 100 mm ±0.15
100 - ... mm ±0.20

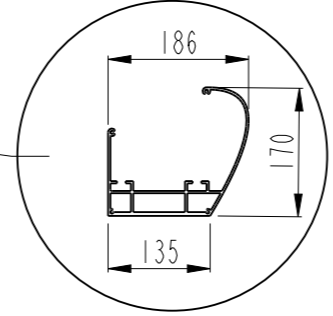
SCALE 1:20



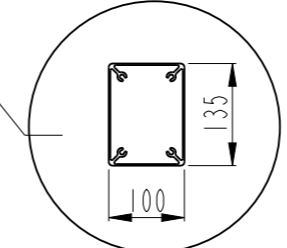
PERGOLA MOTOR BLOCK



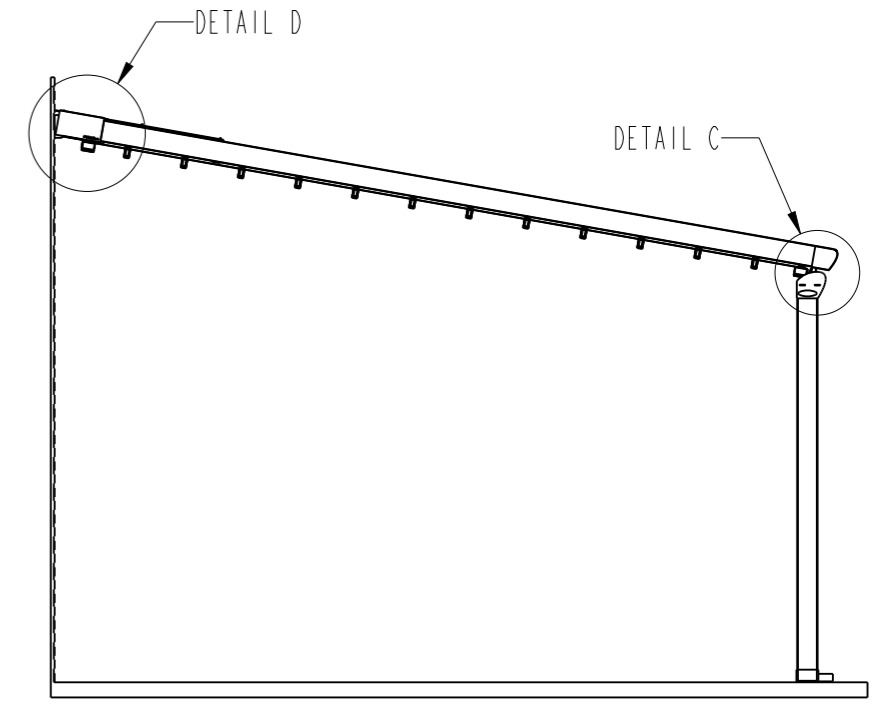
RUNNER



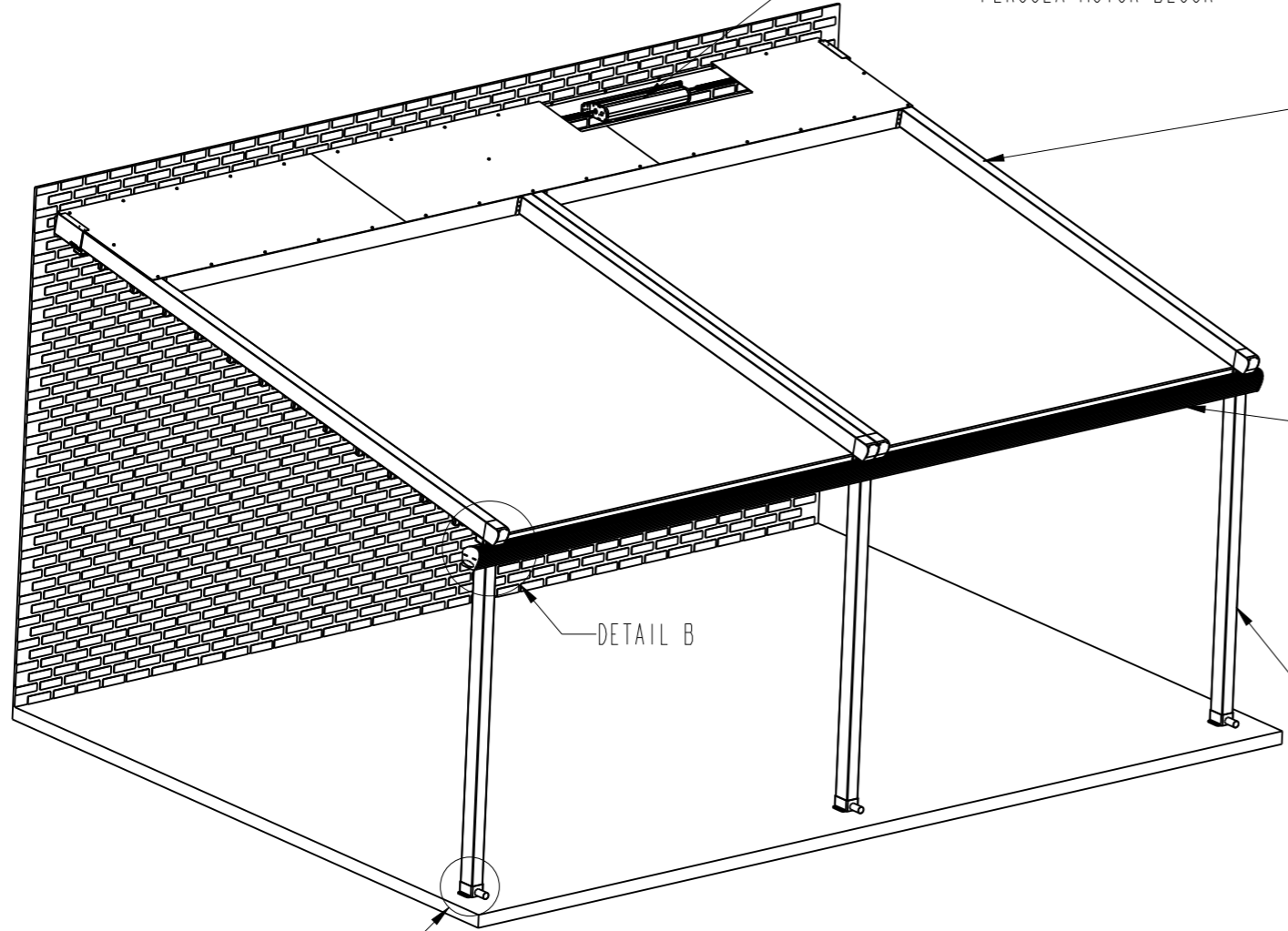
GUTTER



PILLAR

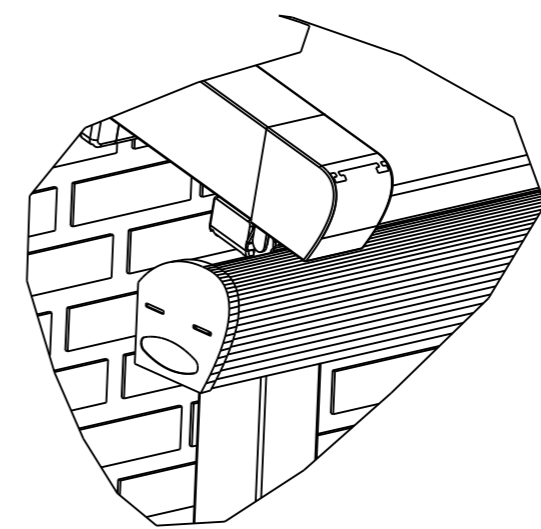


SCALE 1:50

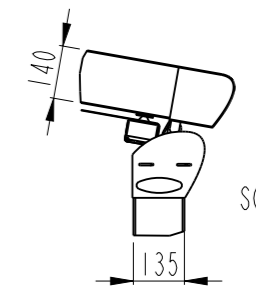


DETAIL A

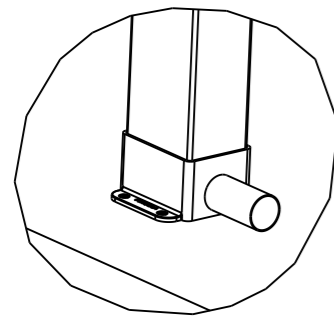
DETAIL B



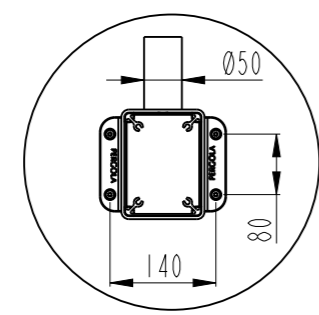
DETAIL B
SCALE 1:10



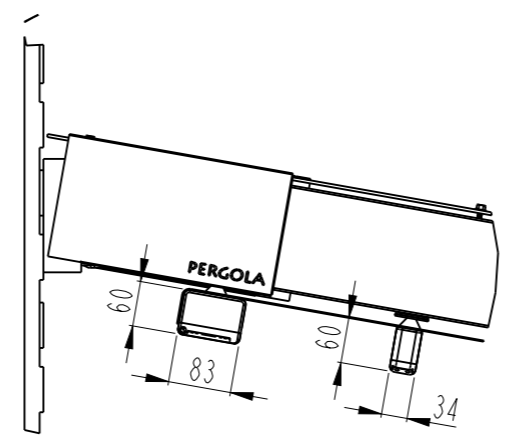
DETAIL C
SCALE 1:20



DETAIL A
SCALE 1:10



BASE PLATE



DETAIL D
SCALE 1:10
FABRIC SUPPORT PROFILES

BU RESMIN TAMAMININ VEYA BIR KISMININ, IZINIMIZ OLMADAN KOPYA EDILMESİ, BASKA BİR YERDE KULLANILMASI VEYA BİR ÜÇÜNCÜ SAHSA VERİLMESİ YASAKTIR VE YASAL İŞLEME YOL ACAR.
THIS DOCUMENT IS PROPERTY OF PERGOLA. IT MUST NOT BE COPIED, REPRODUCED OR ISSUED TO THIRD PARTIES WITHOUT WRITTEN AUTHORITY FROM THE PROPRIETOR.

| Rev.ver. | Change Notes | Date | Name |
|----------|--------------|------|------|
| | | | |

| All dimesions is mm. | | | | | | | | PERGOLA ALL SEASONS OUTDOOR | |
|----------------------|--|-----------|---------|-------------------------|-----|----------------|-------------|--------------------------------|--|
| Material | | Color | Surface | Project Number | | Drawing / Name | | | |
| Name | | Date | Code | ELEGANT_PERGOLA.100X140 | | | | | |
| Draws | | 10-Feb-18 | Scale | Weight (Kg) | Qty | Mold No | Explanation | Sheet | |
| Control | | 10-Feb-18 | | | | | | 1/2 | |
| Approval | | | | | | | | | |