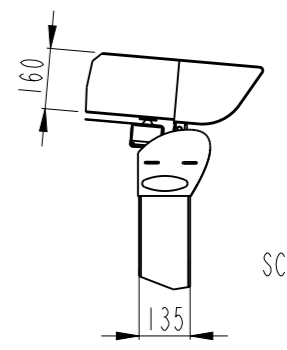
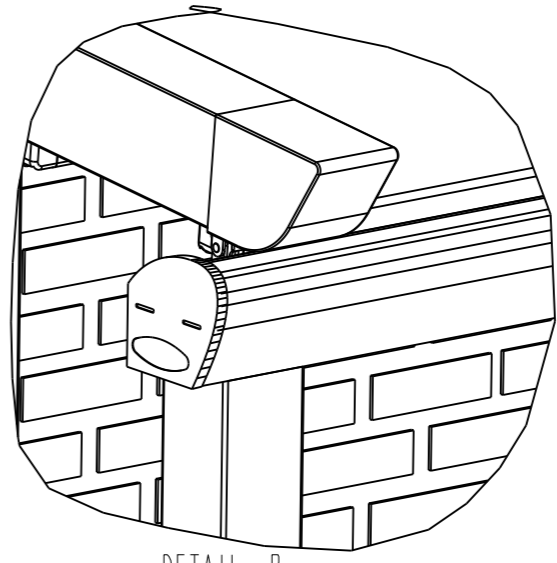
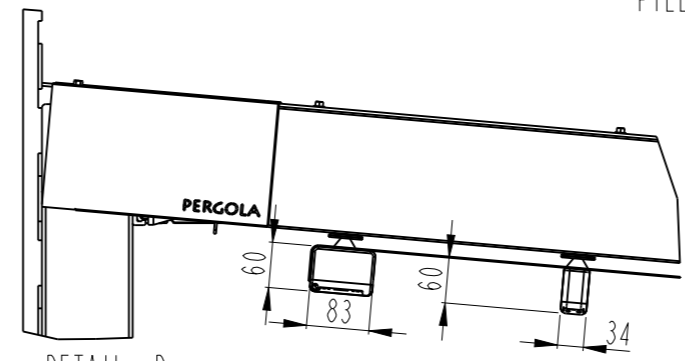
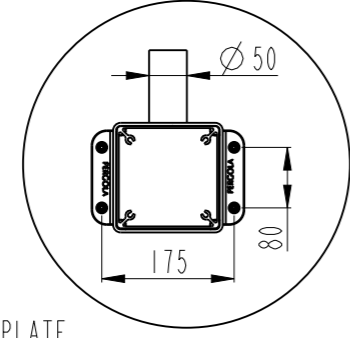
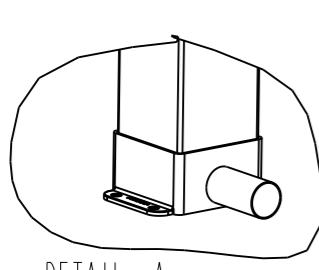
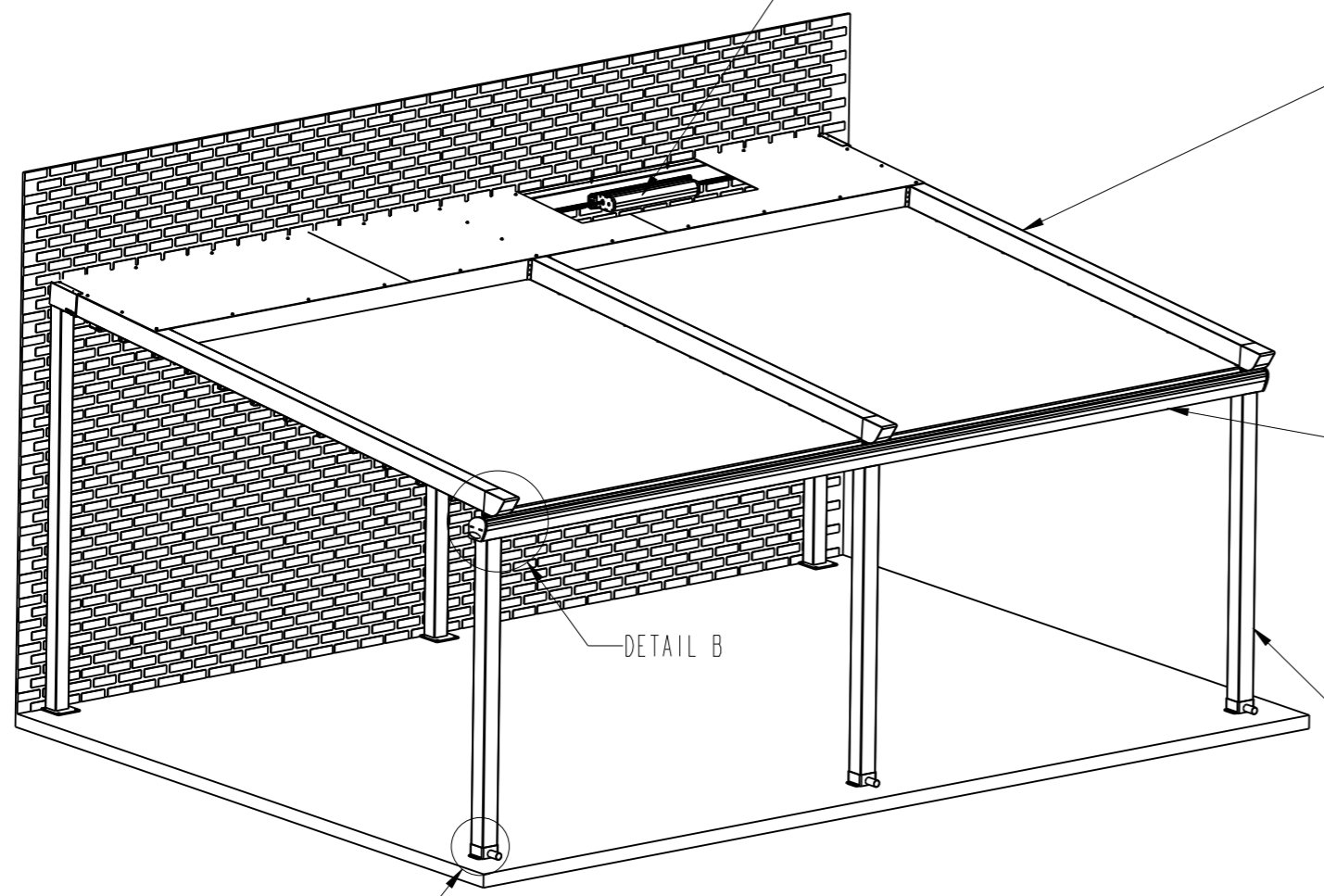
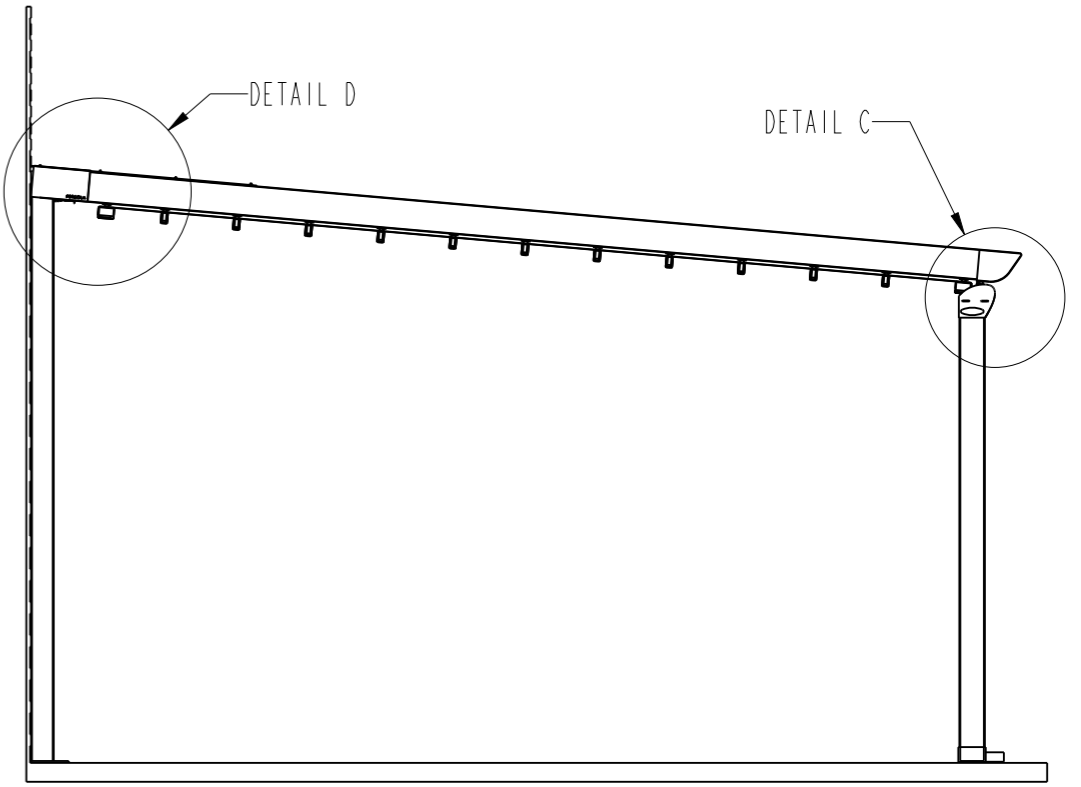
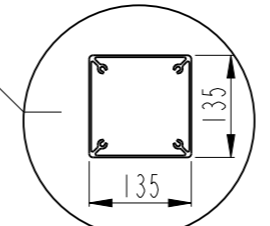
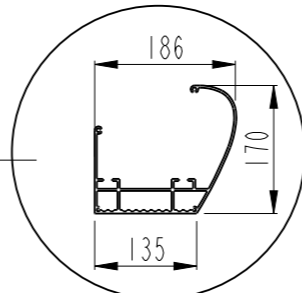
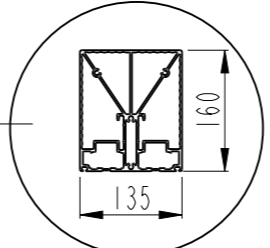
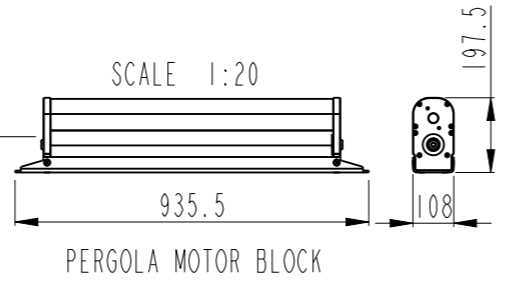


Revision	GENEL TOLERANS/ GENERAL TOLERANCE
A3	0 - 5 mm ±0.05 5 - 50 mm ±0.10 50 - 100 mm ±0.15 100 - ... mm ±0.20



BU RESMIN TAMAMININ VEYA BIR KISMININ, IZINIMIZ OLMADAN KOPYA EDILMESI, BASKA BIR YERDE KULLANILMASI VEYA BIR UCUNCU SAHSA VERILMESI YASAKTIR VE YASAL ISLEME YOL ACAR.
THIS DOCUMENT IS PROPERTY OF PERGOLA. IT MUST NOT BE COPIED, REPRODUCED OR ISSUED TO THIRD PARTIES WITHOUT WRITTEN AUTHORITY FROM THE PROPRIETOR.

Rev.ver.	Change Notes	Date	Name

All dimesions is mm.				PERGOLA ALL SEASONS OUTDOOR			
	Material		Color	Surface	Project Number		
	Name	Date	Code	Drawing / Name AVANTGARDE_PERGOLA.135X160			
Draws	03-Mar-18	Scale	Weight (Kg)	Qty	Mold No	Explanation	
Control	03-Mar-18	Approval					Sheet 1/1